


PRODUCT SHEET

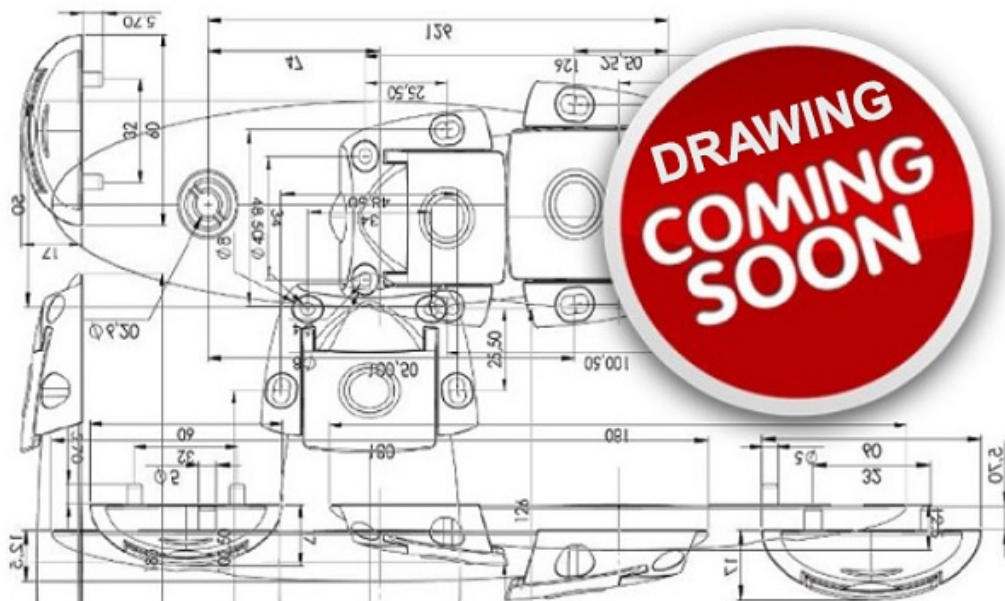
Description:

Screw On Stop, Total Length: 20mm, Head $\varnothing 7,5 \times 5$ mm, NPL

Item number:

14.05.875-0

| Units | Box | Carton | HS Code | Barcode |
|-------|------|--------|------------|---|
| Pcs. | 1000 | 4000 | 8301600090 |  5704866044172 |



SISO A/S

Mileparken 11
DK-2740 Skovlunde
Denmark
VAT: DK 24786013

Phone +45 45 830 900

www.siso.dk
siso@siso.dk

Danske Bank
Nytorv Branch
Copenhagen
SWIFT: DABADKKK

Account no.
4180 3112 112936
IBAN Account
DK7230003112112936